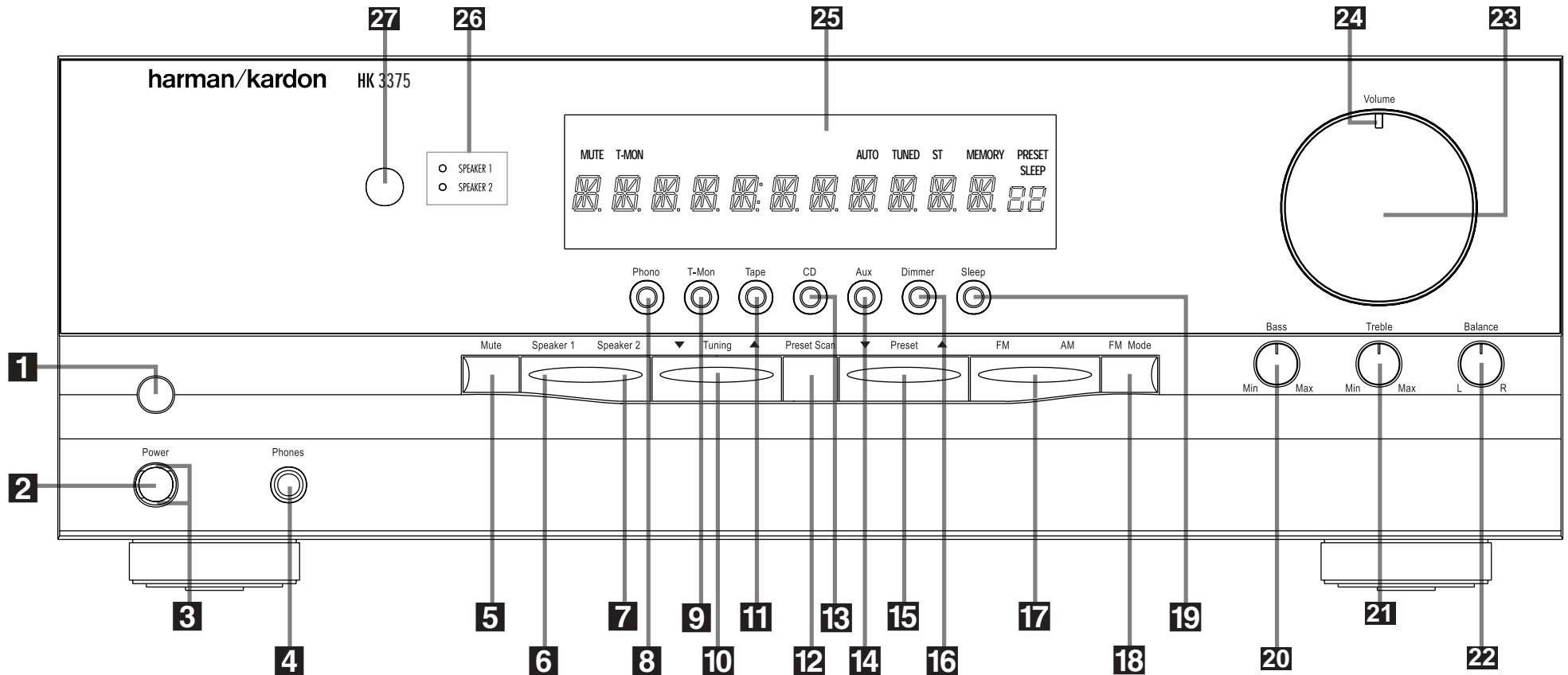


HK 3375 FRONT-PANEL CONTROLS



- | | | |
|-------------------------------|-------------------------------|--|
| 1 Main Power Switch | 10 Tuning Button | 19 Sleep Button |
| 2 System Power Control | 11 Tape Input Selector | 20 Bass Control |
| 3 Power Indicator | 12 Preset Scan | 21 Treble Control |
| 4 Headphone Jack | 13 CD Input Selector | 22 Balance Control |
| 5 Mute | 14 Aux Input Selector | 23 Volume Control |
| 6 Speaker 1 Selector | 15 Preset Selector | 24 Volume/Mute Indicator |
| 7 Speaker 2 Selector | 16 Dimmer Button | 25 Information Display |
| 8 Phono Input Selector | 17 FM/AM Selector | 26 Speaker Selection Indicators |
| 9 T-Mon Input Selector | 18 FM Mode Selector | 27 Remote Sensor Window |